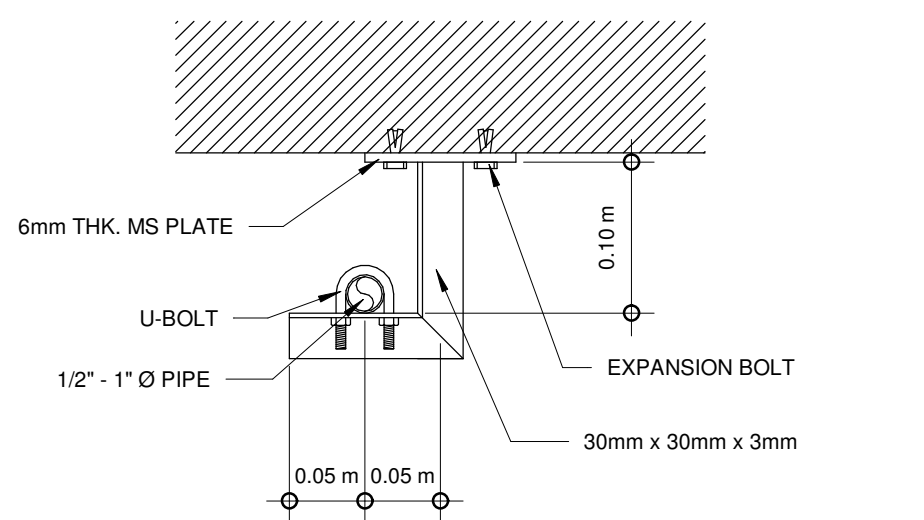
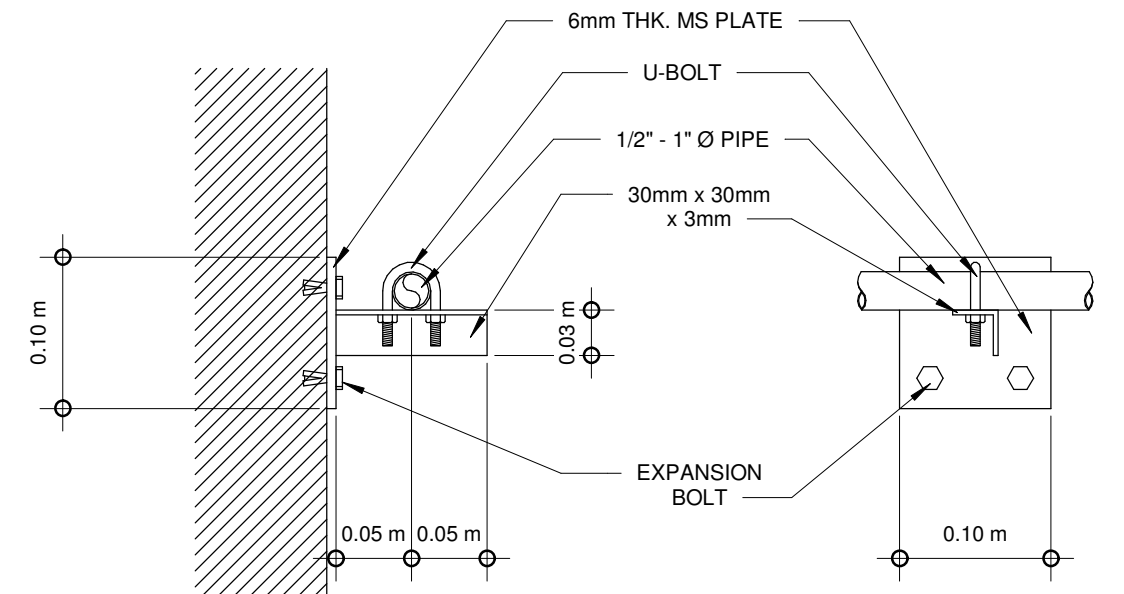


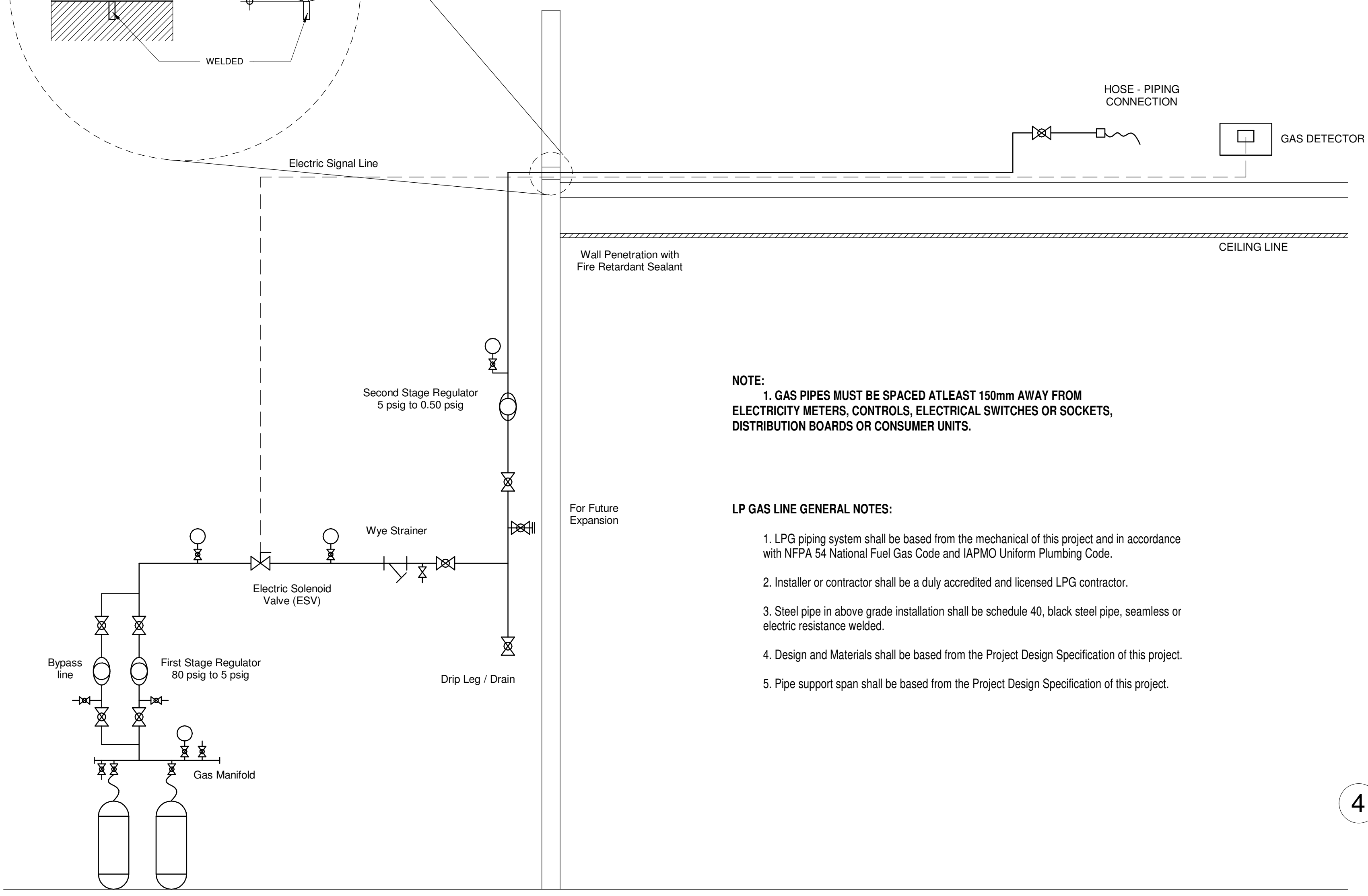
2 L-TYPE SUPPORT VERTICAL LINE
1 : 5 meters



3 L-TYPE SUPPORT HORIZONTAL LINE ON CEILING
1 : 5 meters



4 CANTILEVER SUPPORT HORIZONTAL & VERTICAL LINE
1 : 5 meters



NOTE:
1. GAS PIPES MUST BE SPACED ATLEAST 150mm AWAY FROM ELECTRICITY METERS, CONTROLS, ELECTRICAL SWITCHES OR SOCKETS, DISTRIBUTION BOARDS OR CONSUMER UNITS.

- LP GAS LINE GENERAL NOTES:
- LPG piping system shall be based from the mechanical of this project and in accordance with NFPA 54 National Fuel Gas Code and IAPMO Uniform Plumbing Code.
 - Installer or contractor shall be a duly accredited and licensed LPG contractor.
 - Steel pipe in above grade installation shall be schedule 40, black steel pipe, seamless or electric resistance welded.
 - Design and Materials shall be based from the Project Design Specification of this project.
 - Pipe support span shall be based from the Project Design Specification of this project.

1 GAS LINE DIAGRAM

	PHYSICAL PLANNING AND DEVELOPMENT OFFICE 2/F 202 ADMINISTRATION BLDG. MARIANO MARCOS STATE UNIVERSITY CITY OF BATAK, 2906 ILOCOS NORTE TELEFAX: +63 (77)792-3191	BJAY A. DAYANG DRAFTSMAN I PREPARED BY: DENNIS CLYDE G. ACANTILADO MECHANICAL ENGINEER	SIGNED & SEALED BY: _____ PROFESSIONAL MECHANICAL ENGINEER PRC NO.: _____ PTR: _____ PLACE ISSUED: _____ DATE: _____ TIN: _____	CONSTRUCTION OF RDE BUILDING PHASE III LOCATION: MMSU CRL-CITY OF BATAK, ILOCOS NORTE	CONFORME: BJORN S. SANTOS DIRECTOR, RESEARCH RECOMMENDING APPROVAL: ROMEO R. DULDUALO DIRECTOR, PPOD	APPROVED BY: SHIRLEY C. AGRUPIS UNIVERSITY PRESIDENT	SHEET CONTENTS: GAS LINE DIAGRAM L-TYPE SUPPORT VERTICAL LINE L-TYPE SUPPORT HORIZONTAL LINE ON CEILING CANTILEVER SUPPORT HORIZONTAL & VERTICAL LINE <small>Drawings and specifications and other contract documents duly signed, stamped or sealed, as instruments of service, are the intellectual property and documents of the architect, whether the object for which they are made is executed or not. It shall be unlawful for any person to duplicate or to make copies of said documents for use in the repetition of and for other project or building, whether executed party or in whole, without the written consent of architect or author of said document. Art. IV-Sec. 338A5266</small>	SHEET NO: M-18 18 18
--	--	--	--	---	---	---	--	------------------------------